

OD-Mounted Auto-Feed Pipe Beveling Machine

This series machine adopts METABO motor, main applied in the field of power plant pipeline installation, chemical industry, shipbuilding, especially pipeline prefabrication and low clearance on site working, such as maintain thermal power auxiliary equipment, boiler pipe valve.

METABO Motor Specification:
 Model: BEV 1300-2
 230V -50/60 HZ 1300W 6.0A
 N 3300r/Min (rpm)
 Made in Germany



Features

- OD-Mounted Compact design, good rigidity
- Light weight Tool feed/back automatically
- Adjustable speed Original German METABO motor
- Ingenious centering device, easy for process various of pipe size

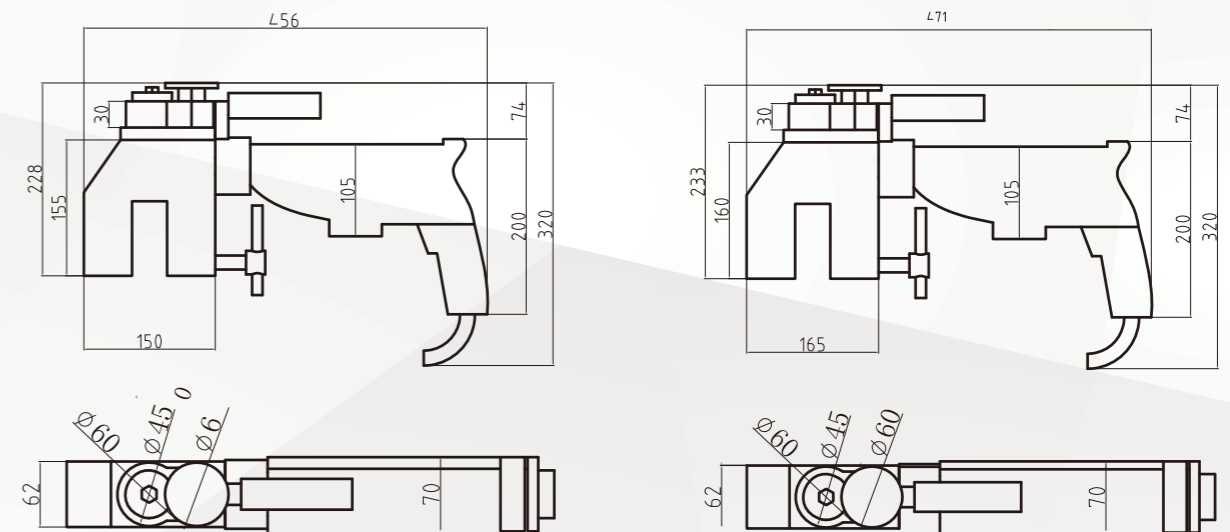


Specification

Model	AF-63E	AF-63P	AF-76E	AF-76P
Driven	Electric	Pneumatic	Electric	Pneumatic
Power Supply	220-230V 1PH 50/60HZ	900L/Min@0.6Mpa	220-230V 1PH 50/60HZ	900L/Min@0.6Mpa
Motor Power	1300W	1HP	1300W	1HP
Working Range (OD)	28-63mm	28-63mm	42-76mm	42-76mm
Clamping Pad Size	28, 32, 42, 45, 48, 51, 54, 57, 60, 63.5		42, 45, 48, 51, 54, 57, 60, 63.5, 68, 76	
Wall Thickness	≤12mm	≤12mm	≤12mm	≤12mm
Rotation Speed	70 - 175RPM		70 - 175RPM	
Working Weight	8kgs	8.5kgs	8.5kgs	9kgs
Shipping Weight	16kgs	17kgs	17kgs	18kgs
Packing Size	590x410x170mm		590x410x170mm	

* Custom-made clamp size is available

Dimension Figure



Tooling Chart

Description	Part No.	Application	Sketch
Tungsten Facing tool 12x12mm	TF-4512	AF-63/76, Facing Tool	
Tungsten Beveling tool 12x12mm	TB-4012-30°	AF-63/76, 30° beveling	
Tungsten Beveling tool 12x12mm	TB-4012-37.5°	AF-63/76, 37.5° beveling	